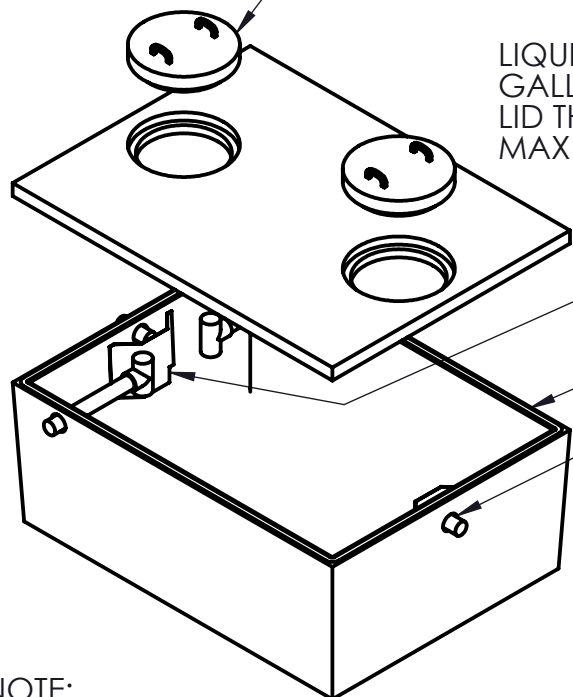


MANHOLE COVER

LIQUID CAPACITY TO BOTTOM OF OUTLET: 1018 GALLONS
 GALLONS PER INCH: 36.2
 LID THICKNESS: 5"
 MAX BURIAL DEPTH: 4'



- POLYETHYLENE BAFFLE (BOTH ENDS)
- MASTIC ROPE
- POURED GASKET

NOTE:
 USE SANITARY T FOR BAFFLE ON SIDE INLETS.
 RUN PIPE TO MANHOLE.

Belle Plaine Block & Tile

130 South Ash
 Belle Plaine, MN 56011
 952-873-2363
 952-873-2368 (fax)

1000 GAL LOWPRO SEPTIC SIGR

Model: 30TNKLPSEPTICSIGR1000
 Drawing: DZ-
 Drawn By: DJP

Date: 11/30/18