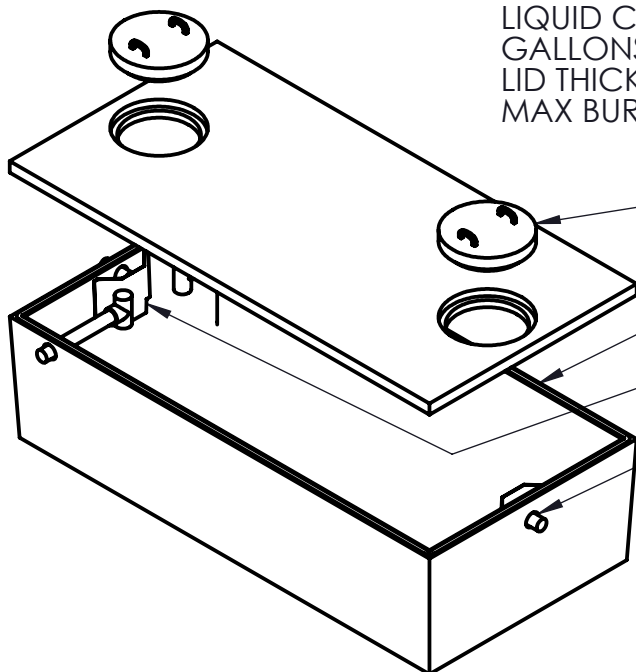


LIQUID CAPACITY TO BOTTOM OF OUTLET: 1500 GALLONS  
 GALLONS PER INCH: 54.9  
 LID THICKNESS: 5"  
 MAX BURIAL DEPTH: 4'



MANHOLE COVER

MASTIC ROPE

POLYETHYLENE BAFFLE (BOTH ENDS)

POURED GASKET

**Belle Plaine Block & Tile**

130 South Ash  
 Belle Plaine, MN 56011  
 952-873-2363  
 952-873-2368 (fax)

**1500 GAL LOWPRO MULTIUSE SI GR**

Model: 30TNKLPS/H/PSIGR1500  
 Drawing: DZ-1500 DOUBLE  
 Drawn By: DJP

Date: 11/30/18

NOTE:  
 USE SANITARY T FOR BAFFLE ON SIDE INLETS.  
 RUN PIPE TO MANHOLE.