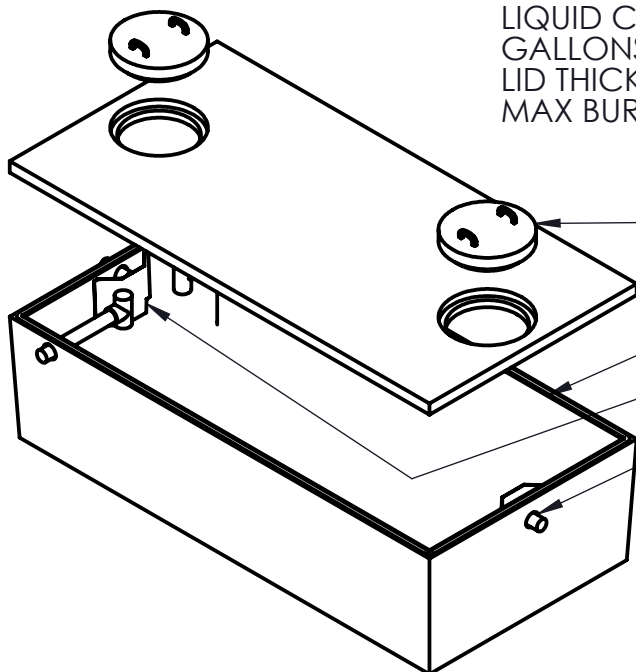


LIQUID CAPACITY TO BOTTOM OF OUTLET: 1500 GALLONS
 GALLONS PER INCH: 54.9
 LID THICKNESS: 5"
 MAX BURIAL DEPTH: 4'



MANHOLE COVER

MASTIC ROPE

POLYETHYLENE BAFFLE (BOTH ENDS)

POURED GASKET

Belle Plaine Block & Tile

130 South Ash
 Belle Plaine, MN 56011
 952-873-2363
 952-873-2368 (fax)

1500 GAL LOWPRO MULTIUSE SI

Model: 30TNKLPS/H/PSI1500
 Drawing: DZ-
 Drawn By: DJP

Date: 11/30/18

NOTE:
 USE SANITARY T FOR BAFFLE ON SIDE INLETS.
 RUN PIPE TO MANHOLE.