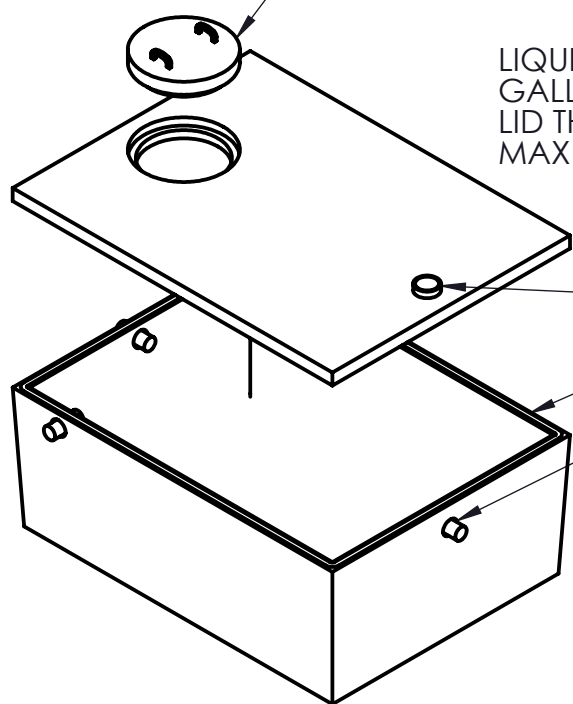


MANHOLE COVER

LIQUID CAPACITY TO BOTTOM OF OUTLET: 1018 GALLONS
 GALLONS PER INCH: 36.2
 LID THICKNESS: 5"
 MAX BURIAL DEPTH: 4'



- 6" #35 COUPLING
- MASTIC ROPE
- POURED GASKET

Belle Plaine Block & Tile
 130 South Ash
 Belle Plaine, MN 56011
 952-873-2363
 952-873-2368 (fax)

1000 GAL LOWPRO PUMP/HOLD SI GR
 Model: 30TNKLPH/PSIGR1000
 Drawing: DZ-
 Drawn By: DJP

Date: 11/30/18