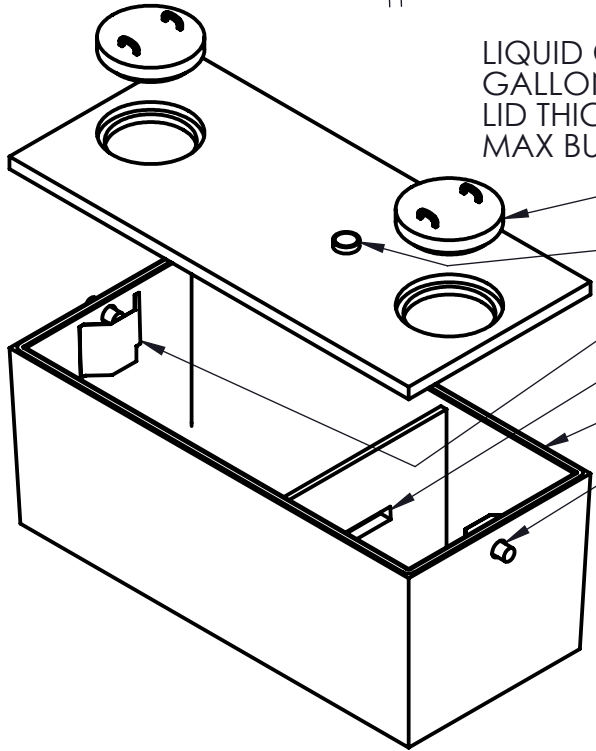


LIQUID CAPACITY TO BOTTOM OF OUTLET: 1601 GALLONS
 GALLONS PER INCH: 36.8
 LID THICKNESS: 5" WITH 1" RECESS
 MAX BURIAL DEPTH: 8'



- MANHOLE COVER
- 6" #35 COUPLING
- POLYETHYLENE BAFFLE (BOTH ENDS)
- TRANSFER HOLE
- MASTIC ROPE
- POURED GASKET

Belle Plaine Block & Tile
 130 South Ash
 Belle Plaine, MN 56011
 952-873-2363
 952-873-2368 (fax)

1500 GAL 2-CMPT GREEN RISER SEPTIC TANK
 Model: 30TNKGR1500-2 (GREEN RISER)
 Drawing: DZ-1500 DOUBLE
 Drawn By: DJP Date: 10/24/2012