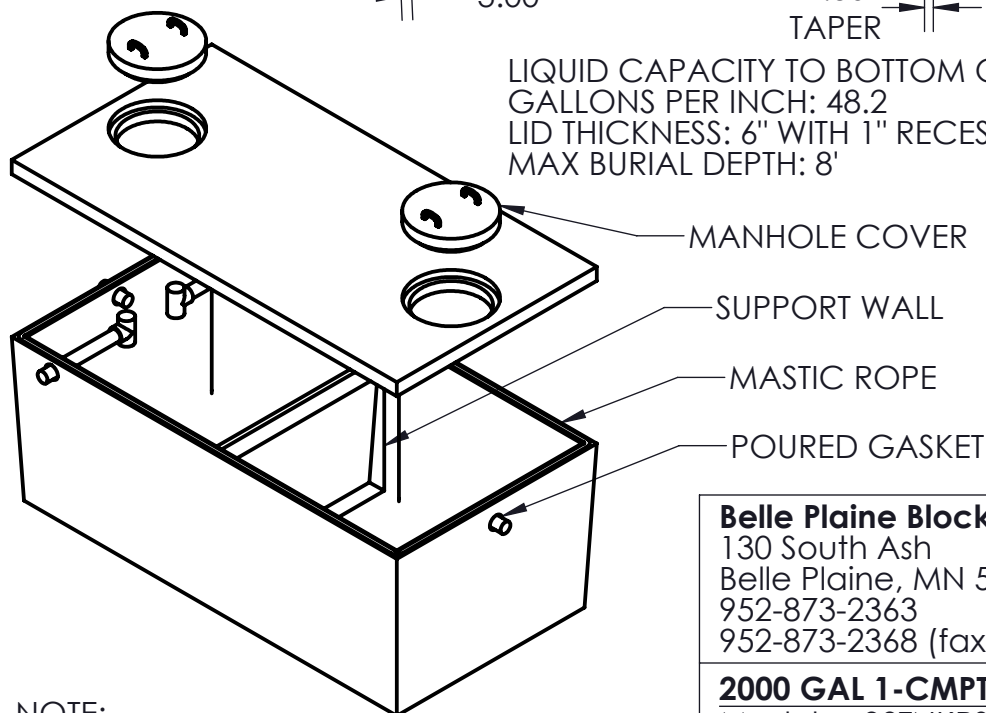


LIQUID CAPACITY TO BOTTOM OF OUTLET: 2168 GALLONS  
 GALLONS PER INCH: 48.2  
 LID THICKNESS: 6" WITH 1" RECESS  
 MAX BURIAL DEPTH: 8'



NOTE:  
 USE SANITARY T FOR BAFFLE ON SIDE INLETS.  
 RUN PIPE TO MANHOLE.

**Belle Plaine Block & Tile**

130 South Ash  
 Belle Plaine, MN 56011  
 952-873-2363  
 952-873-2368 (fax)

**2000 GAL 1-CMPT SIDE INLET PUMP TANK**

Model: 30TNKPSI2000  
 Drawing: DZ-2000 SINGLE  
 Drawn By: DJP

Date: 10/24/2012