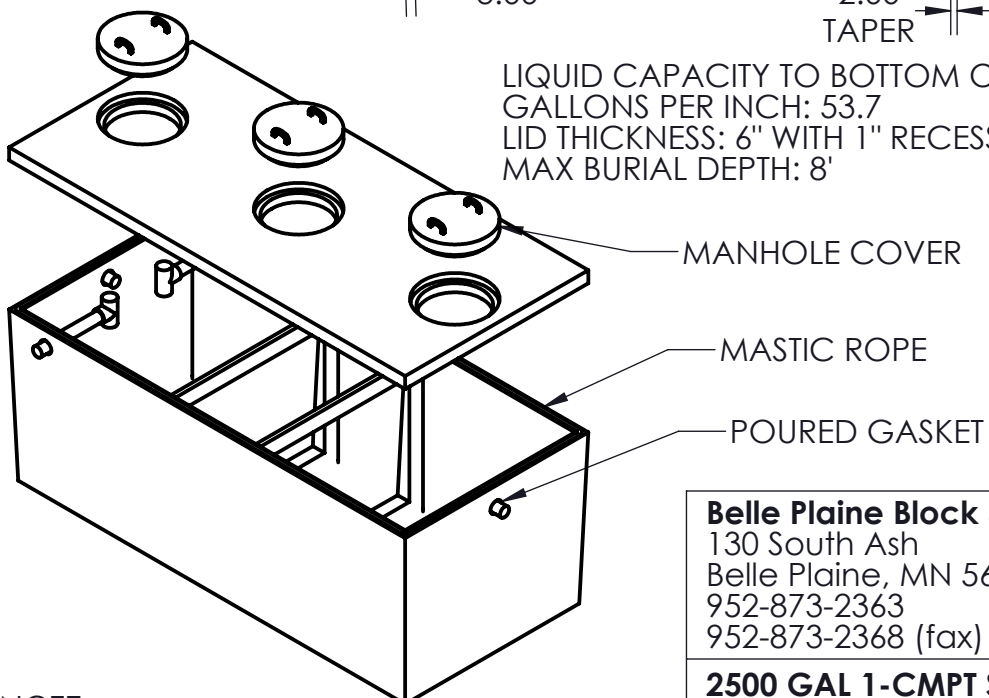


LIQUID CAPACITY TO BOTTOM OF OUTLET: 2738 GALLONS
 GALLONS PER INCH: 53.7
 LID THICKNESS: 6" WITH 1" RECESS
 MAX BURIAL DEPTH: 8'



NOTE:
 USE SANITARY T FOR BAFFLE ON SIDE INLETS.
 RUN PIPE TO MANHOLE.

Belle Plaine Block & Tile
 130 South Ash
 Belle Plaine, MN 56011
 952-873-2363
 952-873-2368 (fax)

2500 GAL 1-CMPT SIDE INLET PUMP TANK
 Model: 30TNKPSI2500 (3 MANHOLES)
 Drawing: DZ-2500 1CMP
 Drawn By: DJP Date: 10/24/2012