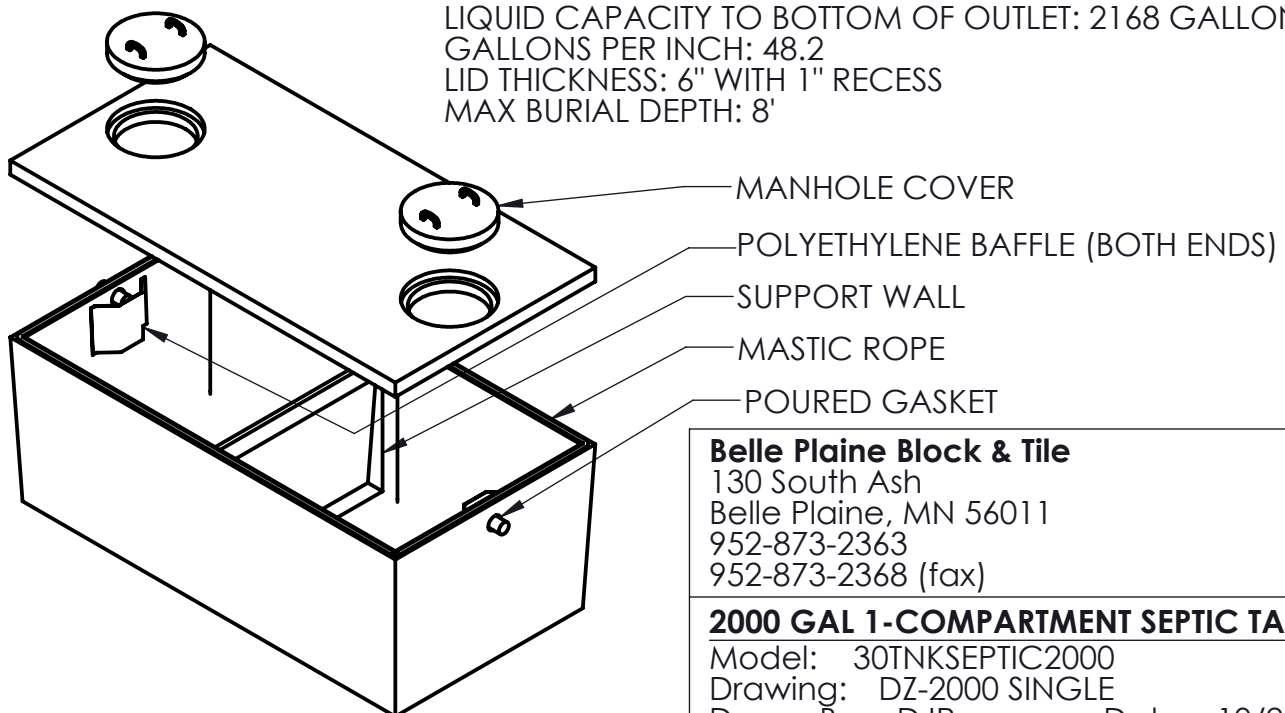


LIQUID CAPACITY TO BOTTOM OF OUTLET: 2168 GALLONS
 GALLONS PER INCH: 48.2
 LID THICKNESS: 6" WITH 1" RECESS
 MAX BURIAL DEPTH: 8'



Belle Plaine Block & Tile

130 South Ash
 Belle Plaine, MN 56011
 952-873-2363
 952-873-2368 (fax)

2000 GAL 1-COMPARTMENT SEPTIC TANK

Model: 30TNKSEPTIC2000
 Drawing: DZ-2000 SINGLE
 Drawn By: DJP

Date: 10/24/2012