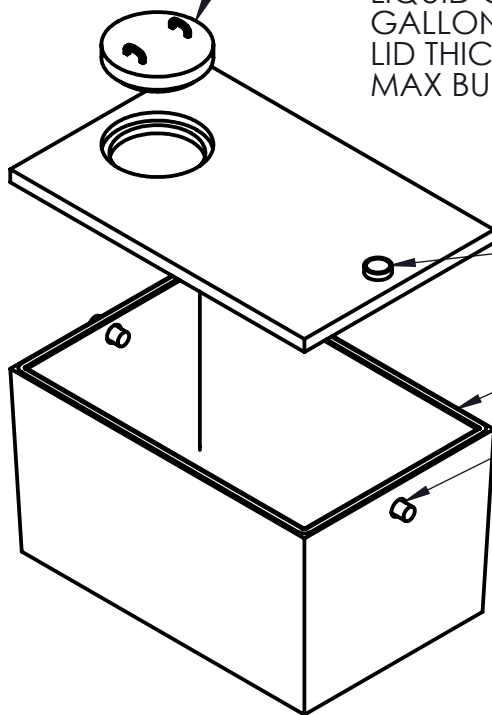


MANHOLE COVER

LIQUID CAPACITY TO BOTTOM OF OUTLET: 1128 GALLONS  
 GALLONS PER INCH: 25.9  
 LID THICKNESS: 5" WITH 1" RECESS  
 MAX BURIAL DEPTH: 8'



6" #35 COUPLING

MASTIC ROPE

POURED GASKET

**Belle Plaine Block & Tile**

130 South Ash  
 Belle Plaine, MN 56011  
 952-873-2363  
 952-873-2368 (fax)

**1000 GALLON 1-COMPARTMENT PUMP TANK**

Model: 30TNKPUMPNS1000  
 Drawing: DZ-1000 SINGLE  
 Drawn By: DJP

Date: 10/24/2012