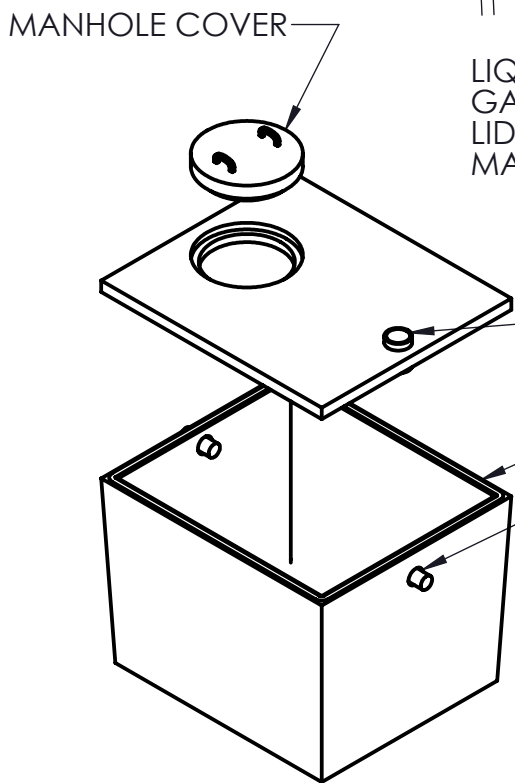


LIQUID CAPACITY TO BOTTOM OF OUTLET: 840 GALLONS
 GALLONS PER INCH: 19.3
 LID THICKNESS: 5" WITH 1" RECESS
 MAX BURIAL DEPTH: 8'



- 6" #35 COUPLING
- MASTIC ROPE
- POURED GASKET

Belle Plaine Block & Tile
 130 South Ash
 Belle Plaine, MN 56011
 952-873-2363
 952-873-2368 (fax)

750 GALLON 1-COMPARTMENT PUMP TANK

Model: 30TNKPUMP750
 Drawing: DZ-750 SINGLE
 Drawn By: DJP

Date: 10/24/2012