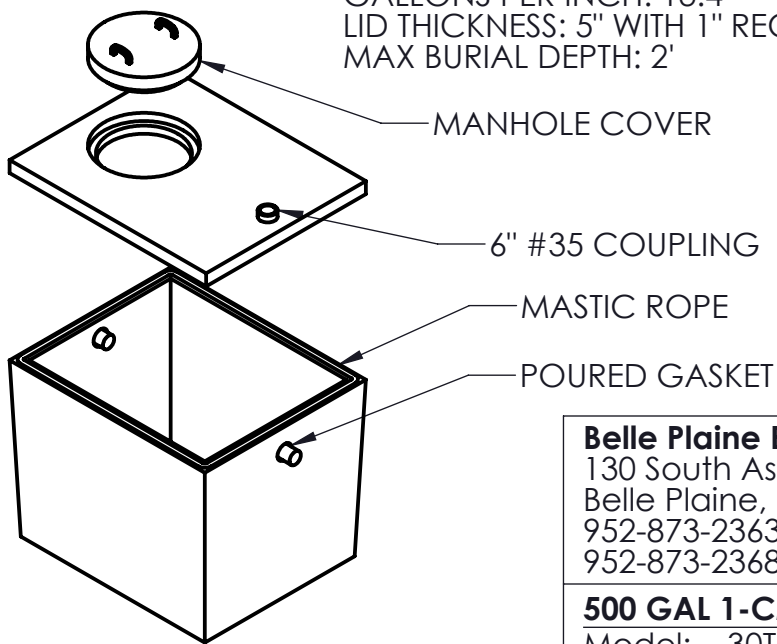


LIQUID CAPACITY TO BOTTOM OF OUTLET: 544 GALLONS  
 GALLONS PER INCH: 13.4  
 LID THICKNESS: 5" WITH 1" RECESS  
 MAX BURIAL DEPTH: 2'



**Belle Plaine Block & Tile**  
 130 South Ash  
 Belle Plaine, MN 56011  
 952-873-2363  
 952-873-2368 (fax)

**500 GAL 1-CMPT INSULATED LID PUMP TANK**  
 Model: 30TNKPUMP500INS  
 Drawing: DZ-500 SINGLE  
 Drawn By: DJP Date: 10/24/2012