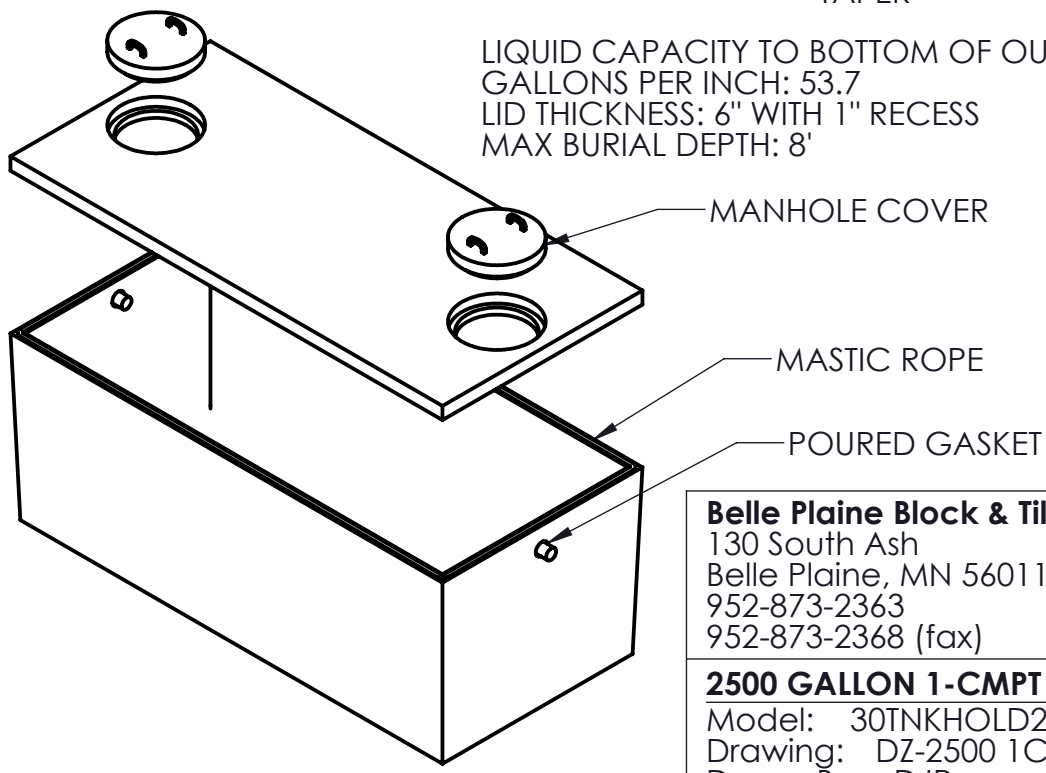


LIQUID CAPACITY TO BOTTOM OF OUTLET: 2738 GALLONS  
 GALLONS PER INCH: 53.7  
 LID THICKNESS: 6" WITH 1" RECESS  
 MAX BURIAL DEPTH: 8'



**Belle Plaine Block & Tile**  
 130 South Ash  
 Belle Plaine, MN 56011  
 952-873-2363  
 952-873-2368 (fax)

**2500 GALLON 1-CMPT HOLDING TANK**  
 Model: 30TNKHOLD2500  
 Drawing: DZ-2500 1CMP  
 Drawn By: DJP  
 Date: 10/24/2012