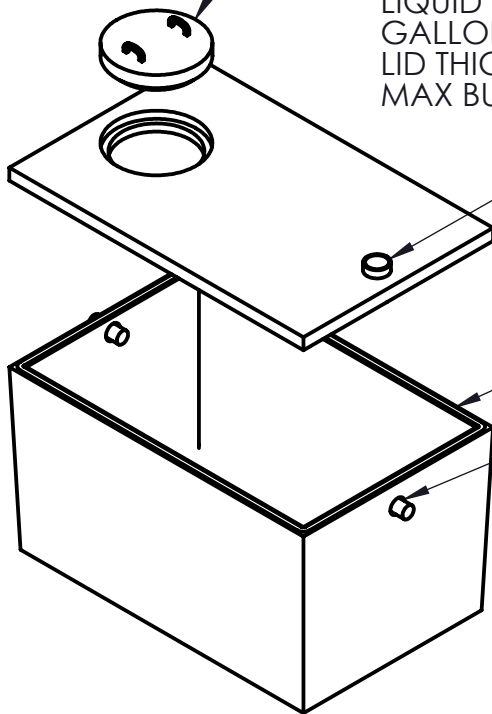


MANHOLE COVER



LIQUID CAPACITY TO BOTTOM OF OUTLET: 1128 GALLONS
 GALLONS PER INCH: 25.9
 LID THICKNESS: 5" WITH 1" RECESS
 MAX BURIAL DEPTH: 10'

6" #35 COUPLING

MASTIC ROPE

POURED GASKET

Belle Plaine Block & Tile

130 South Ash
 Belle Plaine, MN 56011
 952-873-2363
 952-873-2368 (fax)

1000 GAL 1-CMPT HEAVY DUTY PUMP TANK

Model: 30TNKHDP1000
 Drawing: DZ-1000 SINGLE
 Drawn By: DJP

Date: 10/24/2012