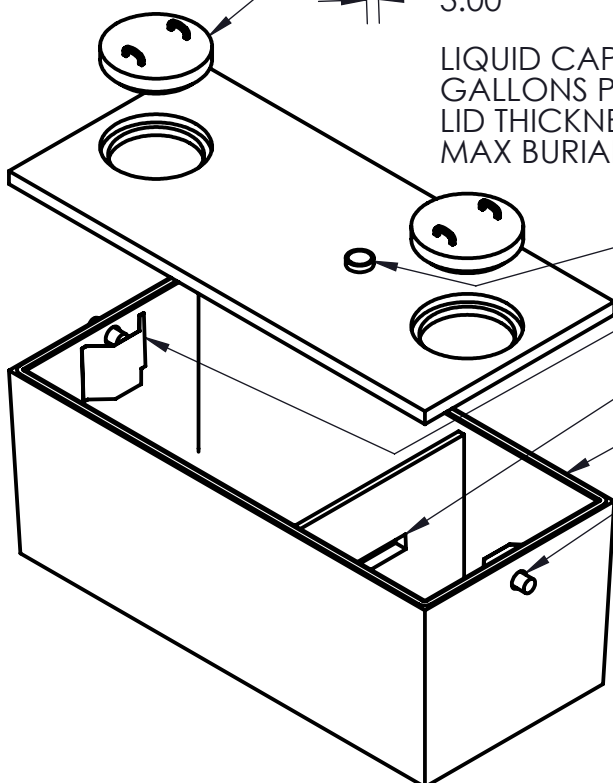


MANHOLE COVER

LIQUID CAPACITY TO BOTTOM OF OUTLET: 1601 GALLONS  
 GALLONS PER INCH: 36.8  
 LID THICKNESS: 5" WITH 1" RECESS  
 MAX BURIAL DEPTH: 8'



- 6" #35 COUPLING
- POLYETHYLENE BAFFLE (BOTH ENDS)
- TRANSFER HOLE
- MASTIC ROPE
- POURED GASKET

**Belle Plaine Block & Tile**

130 South Ash  
 Belle Plaine, MN 56011  
 952-873-2363  
 952-873-2368 (fax)

**1500 GALLON 2-COMPARTMENT SEPTIC TANK**

Model: 30TNK1500/2MOLE W/ TRANS HOLE  
 Drawing: DZ-1500 2CMP  
 Drawn By: DJP

Date: 10/12/2012