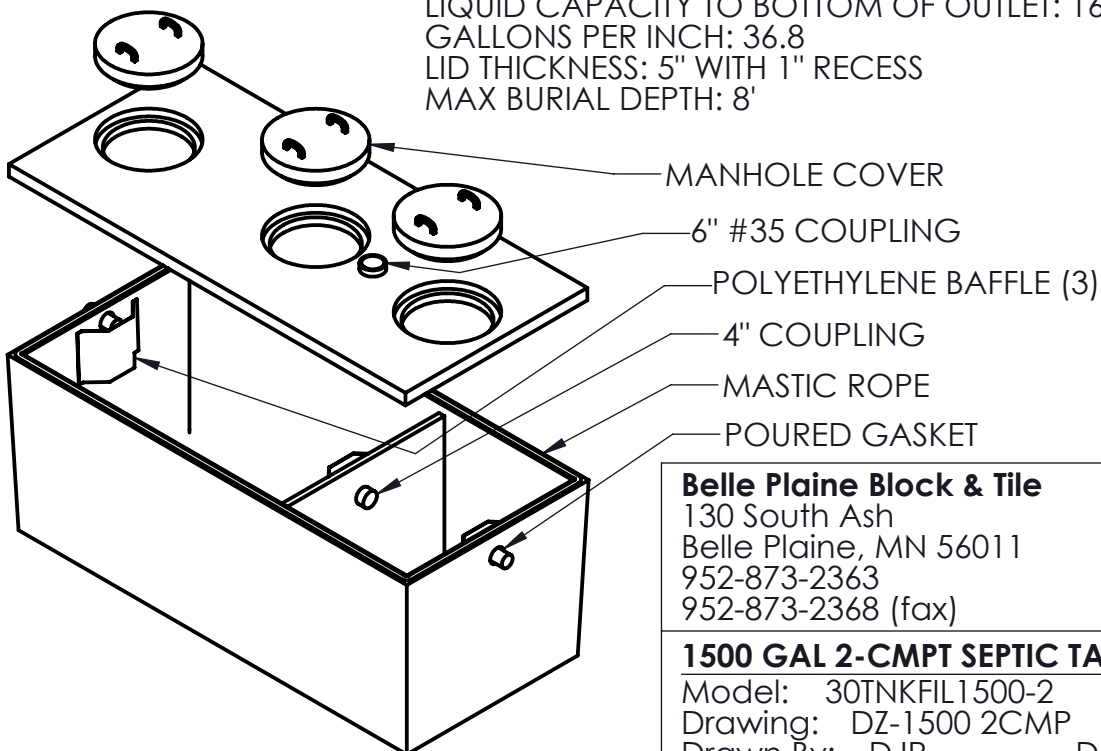


LIQUID CAPACITY TO BOTTOM OF OUTLET: 1601 GALLONS  
 GALLONS PER INCH: 36.8  
 LID THICKNESS: 5" WITH 1" RECESS  
 MAX BURIAL DEPTH: 8'



**Belle Plaine Block & Tile**

130 South Ash  
 Belle Plaine, MN 56011  
 952-873-2363  
 952-873-2368 (fax)

**1500 GAL 2-CMPT SEPTIC TANK FILTER CAPABLE**

Model: 30TNKFIL1500-2 (3 MANHOLE)  
 Drawing: DZ-1500 2CMP  
 Drawn By: DJP Date: 10/24/2012