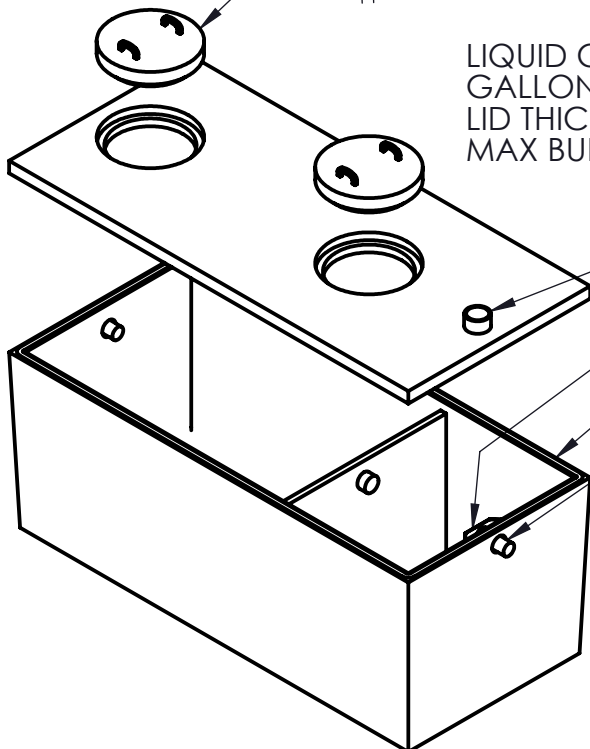


MANHOLE COVER

LIQUID CAPACITY TO BOTTOM OF OUTLET: 1601 GALLONS
 GALLONS PER INCH: 36.8
 LID THICKNESS: 5" WITH 1" RECESS
 MAX BURIAL DEPTH: 8'



- 6" #35 COUPLING
- POLYETHYLENE BAFFLE
- MASTIC ROPE
- POURED GASKET

1000 PUMP
 500 SEPTIC

Belle Plaine Block & Tile

130 South Ash
 Belle Plaine, MN 56011
 952-873-2363
 952-873-2368 (fax)

1500 GALLON 2-CMPT REV SEPTIC/PUMP TANK

Model: 30TNKRR1500-2
 Drawing: DZ-1500 2CMP
 Drawn By: DJP

Date: 10/24/2012