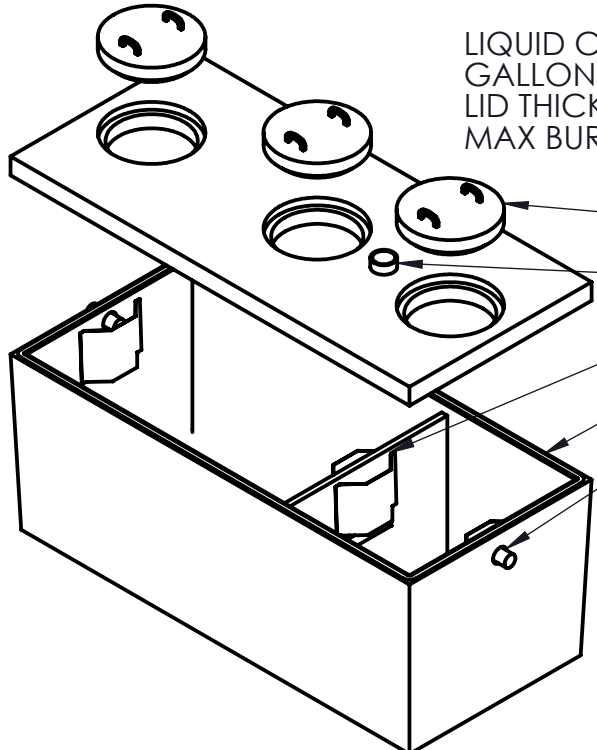


LIQUID CAPACITY TO BOTTOM OF OUTLET: 1601 GALLONS
 GALLONS PER INCH: 36.8
 LID THICKNESS: 5" WITH 1" RECESS
 MAX BURIAL DEPTH: 2'



- MANHOLE COVER
- 6" #35 COUPLINGS
- POLYETHYLENE BAFFLE (4)
- MASTIC ROPE
- POURED GASKET

1000 SEPTIC
500 PUMP

Belle Plaine Block & Tile
 130 South Ash
 Belle Plaine, MN 56011
 952-873-2363
 952-873-2368 (fax)

1500 GAL 2-CMPT INS LID SEPTIC/PUMP TANK
 Model: 30TNKINSLID1500SP (3 MANHOLE)
 Drawing: DZ-1500 2CMP
 Drawn By: DJP

Date: 10/24/2012