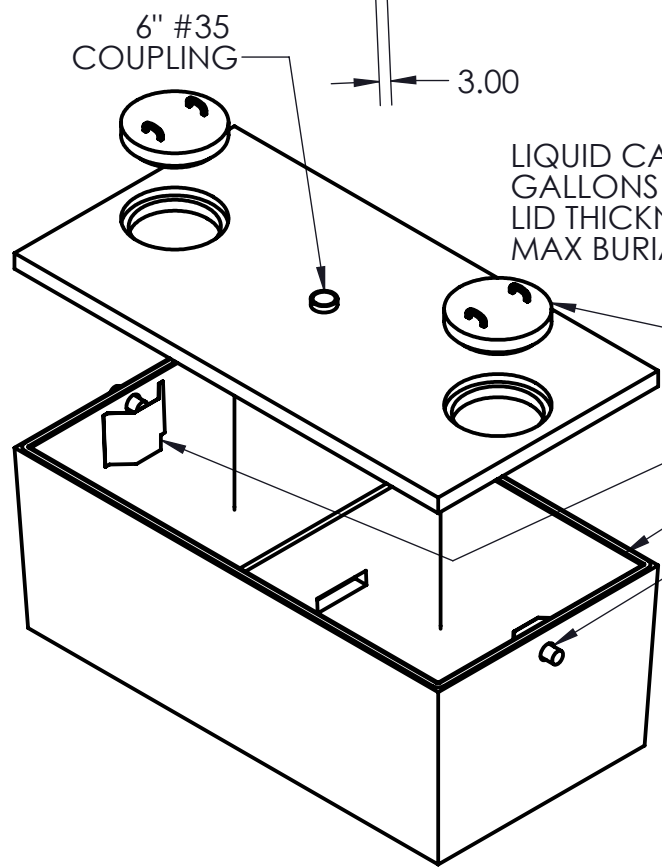


LIQUID CAPACITY TO BOTTOM OF OUTLET: 2168 GALLONS  
 GALLONS PER INCH: 48.2  
 LID THICKNESS: 6" WITH 1" RECESS  
 MAX BURIAL DEPTH: 8'



- MANHOLE COVER
- POLYETHYLENE BAFFLE (BOTH ENDS)
- MASTIC ROPE
- POURED GASKET

**Belle Plaine Block & Tile**  
 130 South Ash  
 Belle Plaine, MN 56011  
 952-873-2363  
 952-873-2368 (fax)

**2000 GAL 2-CMPT GREEN RISER SEPTIC TANK**  
 Model: 30TNKGR2000-2  
 Drawing: DZ-2000 2CMP  
 Drawn By: DJP  
 Date: 10/24/2012