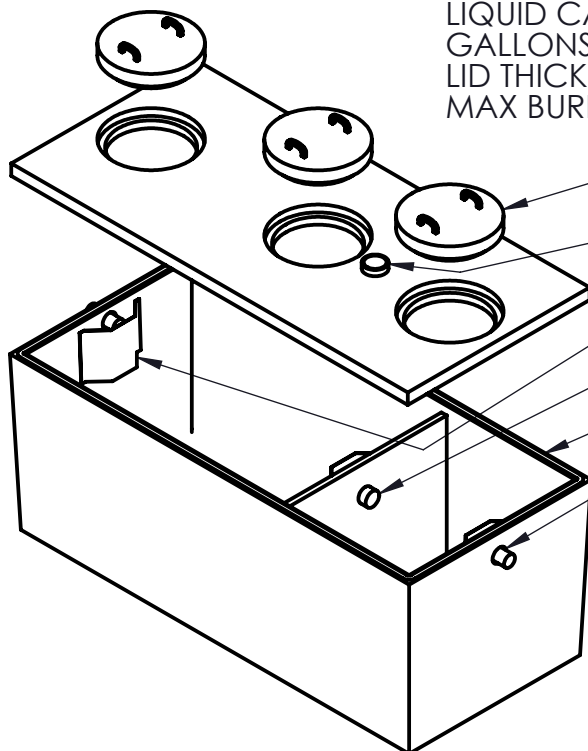


LIQUID CAPACITY TO BOTTOM OF OUTLET: 1601 GALLONS
 GALLONS PER INCH: 36.8
 LID THICKNESS: 5" WITH 1" RECESS
 MAX BURIAL DEPTH: 8'



- MANHOLE COVER
- 6" #35 COUPLING
- POLYETHYLENE BAFFLE (3)
- 4" COUPLING
- MASTIC ROPE
- POURED GASKET

1000 SEPTIC
500 PUMP

Belle Plaine Block & Tile

130 South Ash
 Belle Plaine, MN 56011
 952-873-2363
 952-873-2368 (fax)

1500 G 2-CMPT SEPTIC/PUMP FILTER CAPABLE

Model: 30TNKFIL1500-2SP (3 MANHOLE)
 Drawing: DZ-1500 2CMP
 Drawn By: DJP Date: 10/24/2012