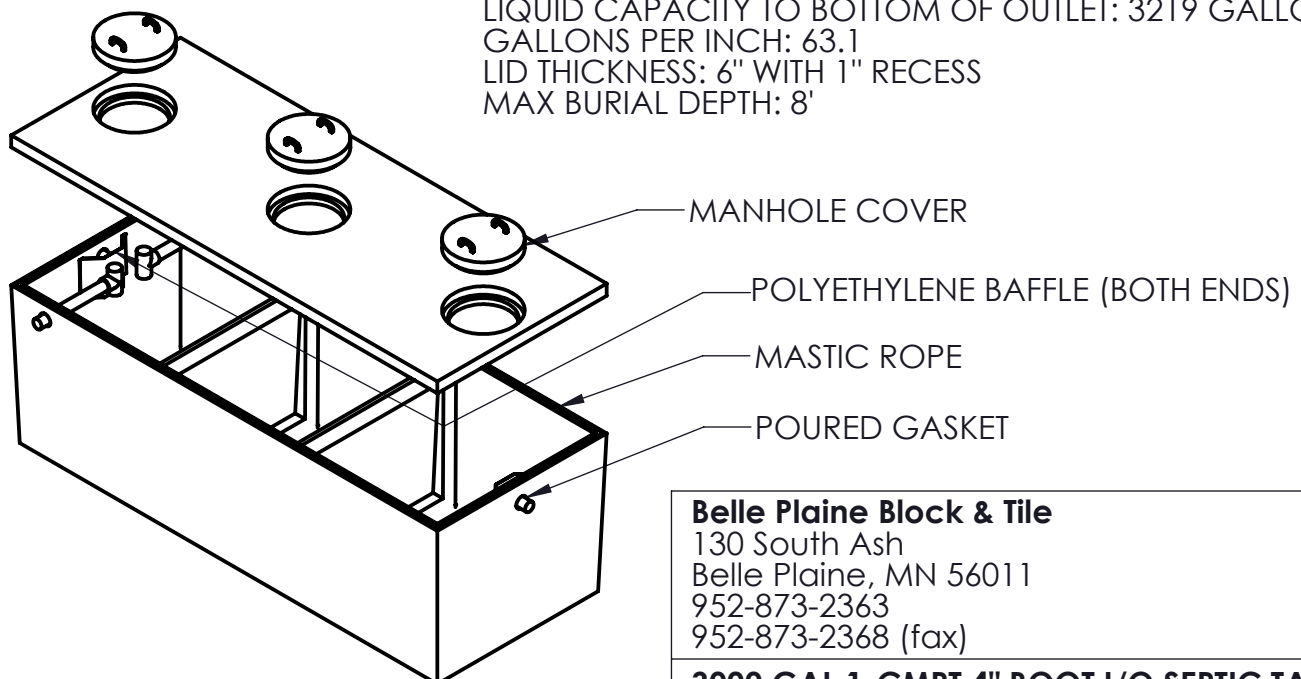


LIQUID CAPACITY TO BOTTOM OF OUTLET: 3219 GALLONS
 GALLONS PER INCH: 63.1
 LID THICKNESS: 6" WITH 1" RECESS
 MAX BURIAL DEPTH: 8'



NOTE:
 USE SANITARY T FOR BAFFLE ON SIDE INLETS.
 RUN PIPE TO MANHOLE.

Belle Plaine Block & Tile

130 South Ash
 Belle Plaine, MN 56011
 952-873-2363
 952-873-2368 (fax)

3000 GAL 1-CMPT 4" BOOT I/O SEPTIC TANK

Model: 30TNKSI3000-4
 Drawing: DZ-3000 1CMP
 Drawn By: DJP

Date: 10/24/2012