

2 - 6" #35
COUPLINGS

4" INLET

60.50
49.50

1060 GAL

541 GAL

2.0 INSULATION

4" OUTLET

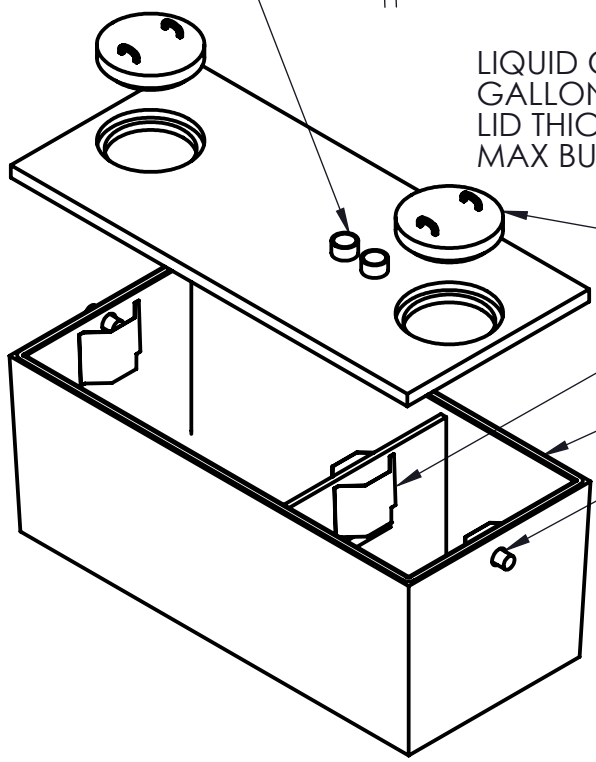
9.00
AIR SPACE

43.50
LIQUID
DEPTH

3.00

2.00
TAPER

LIQUID CAPACITY TO BOTTOM OF OUTLET: 1601 GALLONS
GALLONS PER INCH: 36.8
LID THICKNESS: 5" WITH 1" RECESS
MAX BURIAL DEPTH: 2'



MANHOLE COVER

POLYETHYLENE BAFFLE (4)

MASTIC ROPE

POURED GASKET

Belle Plaine Block & Tile

130 South Ash
Belle Plaine, MN 56011
952-873-2363
952-873-2368 (fax)

1500 GAL 2-CMPT INSULATED LID SEPTIC TANK

Model: 30TNKINSLID1500 (2 MANHOLE)

Drawing: DZ-1500 2CMP

Drawn By: DJP

Date: 10/24/2012