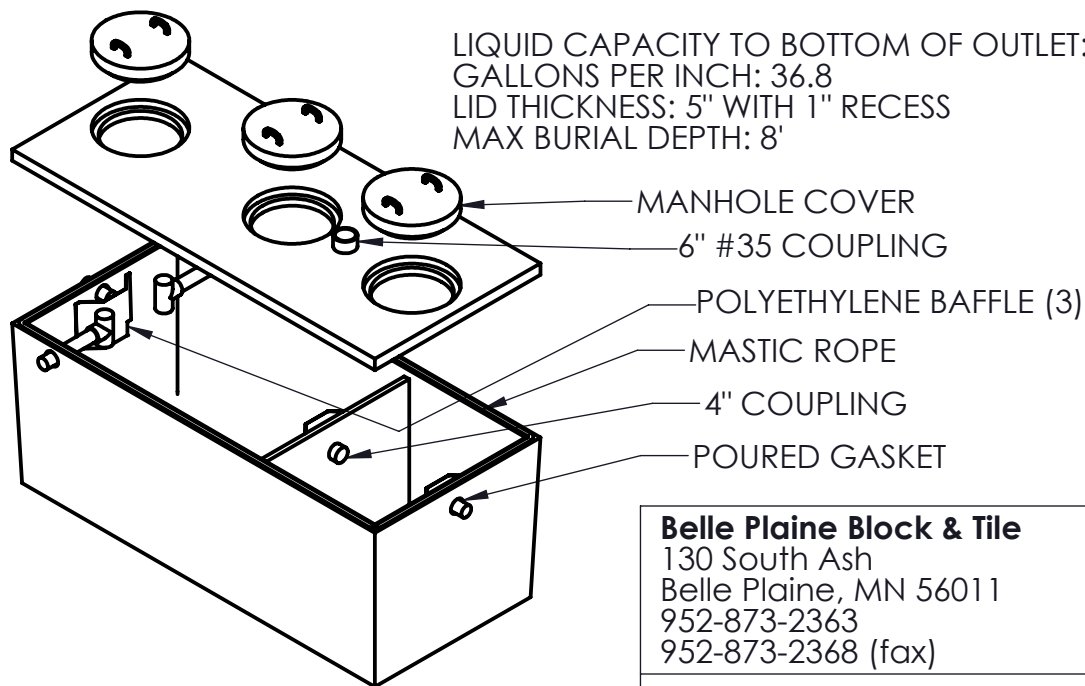


LIQUID CAPACITY TO BOTTOM OF OUTLET: 1601 GALLONS
 GALLONS PER INCH: 36.8
 LID THICKNESS: 5" WITH 1" RECESS
 MAX BURIAL DEPTH: 8'



NOTE:
 USE SANITARY T FOR BAFFLE ON SIDE INLETS.
 RUN PIPE TO MANHOLE.

Belle Plaine Block & Tile

130 South Ash
 Belle Plaine, MN 56011
 952-873-2363
 952-873-2368 (fax)

1500 GAL 2-CMPT SI SEPTIC TANK FILTER CAP

Model: 30TNKFISI1500-2 (3 MANHOLE)
 Drawing: DZ-1500 2CMP
 Drawn By: DJP Date: 10/24/2012