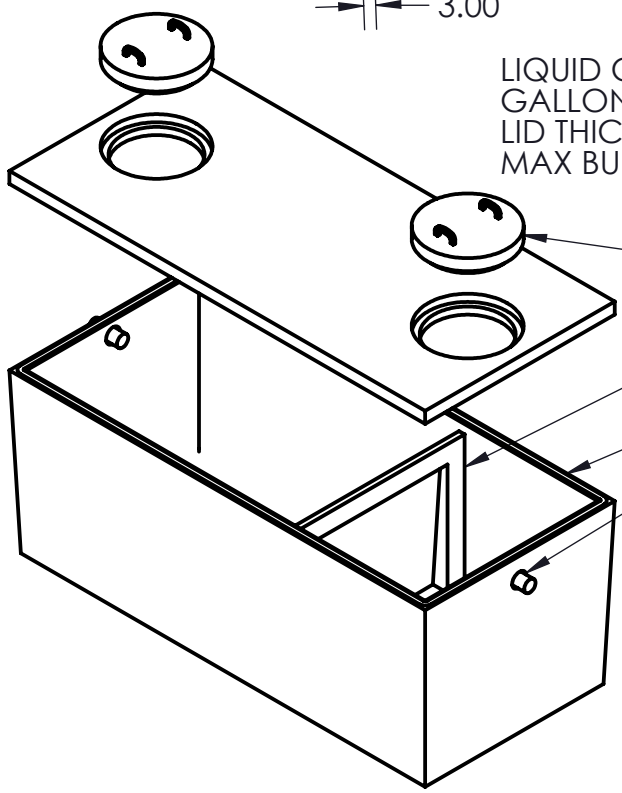


LIQUID CAPACITY TO BOTTOM OF OUTLET: 1601 GALLONS
 GALLONS PER INCH: 36.8
 LID THICKNESS: 5" WITH 1" RECESS
 MAX BURIAL DEPTH: 8'



- MANHOLE COVER
- SUPPORT WALL
- MASTIC ROPE
- POURED GASKET

Belle Plaine Block & Tile
 130 South Ash
 Belle Plaine, MN 56011
 952-873-2363
 952-873-2368 (fax)

1500 GALLON 1-COMPARTMENT PUMP TANK
 Model: 30TNKPUMP1500
 Drawing: DZ-1500 SINGLE
 Drawn By: DJP Date: 10/24/2012